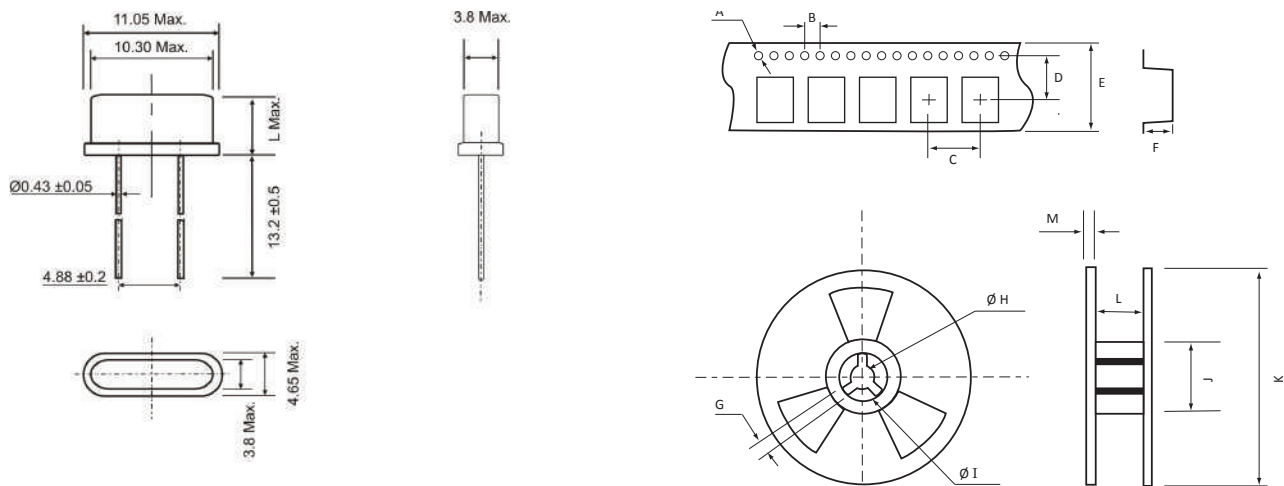


### Standard Specifications

Parameter	Symbol	Specification	Remarks
Frequency Range	$f_0$	3.00 to 100.00 MHz	
Frequency Tolerance	$\Delta f/f$	$\pm 5\text{PPM} \sim \pm 50\text{PPM}$	at 25°C with 100 $\mu\text{W}$
Frequency Stability	Over OTR	$\pm 50\text{PPM}$ (Standard)	From $\pm 5\text{PPM}$ (depending on OTR)
Operating Temperature Range	$T_{\text{OPR}}$	-10°C to +60°C	See Table
Storage Temperature Range	$T_{\text{STG}}$	-55°C to +125°C	
Load Capacity	$C_L$	30pF (Std value)	Please specify
Drive-Level	$D_L$	100.0 $\mu\text{W}$ Typ.	0.5mW Max
Shunt Capacitance	$C_0$	7.0pF Typ.	
Dynamic Capacitance	$C_1$	20.0fF Typ.	
Ageing	Fa	$\pm 5.0\text{PPM}$	at 25°C $\pm 3^\circ\text{C}$ 1st Year

Frequency Range	Mode	ESR	Reflow Solder Condition (240°C)
3.00 to 3.49 MHz	Fundamental	300 $\Omega$	
3.50 to 3.79 MHz	Fundamental	150 $\Omega$	
3.80 to 4.09 MHz	Fundamental	120 $\Omega$	
4.10 to 4.99 MHz	Fundamental	100 $\Omega$	
5.00 to 5.99 MHz	Fundamental	80 $\Omega$	
6.00 to 7.99 MHz	Fundamental	70 $\Omega$	
8.00 to 9.99 MHz	Fundamental	60 $\Omega$	
10.00 to 11.99 MHz	Fundamental	50 $\Omega$	
12.00 to 27.99 MHz	Fundamental	40 $\Omega$	
28.00 to 33.49 MHz	Fundamental	50 $\Omega$	
26.00 to 99.99 MHz	3rd Overtone	100 $\Omega$	
20.00 to 40.00 MHz	BT Fundamental	40 $\Omega$	

### Dimensions (mm) 1000pcs per Reel



Holder Style	L
HC-49/S(3.5)	3.5mm
HC-49/S(2.7)	2.7mm

A	B	C	D	E	F	G	H	I	J	K	L
1.5	4.0	12	11.7	24.0	4.40	2.5	13.5	21.0	100	330	24.0